

**ROBUSCHI®**

GERMANY

Ahnser Strasse 5 - 31675 Bückeburg - Germany  
 Tel. +49 5722 2856-0 - Fax +49 5722 2856-99  
 E-mail: robuschi@robuschi.de - www.robuschi.de

**ROBUSCHI®**

DENMARK

Fuglebaekvej 3 A, 1 - 2770 Kastrup - Denmark  
 Tel. +45 70257800 - Fax +45 70 257900  
 E-mail: sales@robuschi.dk - www.robuschi.dk

**ROBUSCHI®**

FRANCE

6, rue de la Grande Borne - 77990 Le Mesnil Amelot - France  
 Tel. +33 1 60037569 - Fax +33 1 60037577  
 E-mail: robuschi.fr@wanadoo.fr - www.robuschi.fr

**ROBUSCHI®**

BENELUX

Kanaaldijk 100 - 6956 AX Spankeren - Netherlands  
 Tel. +31 313 41 5570 - Fax +31 313 41 5433  
 E-mail: robuschi@robuschi-benelux.nl - www.robuschi-benelux.nl

**ROBUSCHI®**

USA Inc.

3801 Beam Road, Suite F - Charlotte, NC 28217  
 Tel: 704-424 1018 - Fax: 704-424 1019 - Toll free: 877-424-1020  
 E-mail: sales@robuschiusa.com - www.robuschiusa.com

**ROBUSCHI®**

CHINA

218 Tianmu Road West - Suit 1208, Building No. 2, Kerry Everbright City - 200070 Shanghai - China  
 Tel. +86 21 6317 5461 / +86 21 6317 6461 - Fax +86 21 6317 7312  
 E-mail: robuschichina@robuschichina.com - www.robuschichina.com

**ROBUSCHI®**

do BRASIL

Centro Administrativo Rio Negro - Conjuntos 25 e 26 - Edifício Jaçari - Alameda Rio Negro 585  
 CEP 06454-000 - Alphaville/Barueri - SP - Brasil  
 Tel +55 11 4191-2322 - Fax +55 11 4191-2277  
 E-mail: robuschi@robuschi.com.br - www.robuschi.com.br

**ROBUSCHI®**

**ROBUSCHI S.p.A.**  
**Head office and factory**

Via S. Leonardo, 71/A - 43122 Parma - Italy  
 Tel. +39 0521 274911/91 - Fax +39 0521 771242  
 E-mail: robuschi@robuschi.it - www.robuschi.com

**FILIALE DI MILANO**

Via XXV Aprile, 2 - 20097 S. Donato (Milano) - Italy  
 Tel. +39 02 51628065 - Fax +39 02 51620224  
 E-mail: robuschimi@robuschi.it

**FILIALE DI PADOVA**

Piazza Zanellato, 5 - 35129 Padova - Italy  
 Tel. +39.049.8078260 - Fax +39.049.8078183  
 E-mail: robuschipd@robuschi.it

**BIOGAS**  
*application*  
 Blower packages



**ROBUSCHI®**  
**ROBOX**  
 evolution

**CRBIO****GRBIO****ROBUSCHI®**

PUMPS · BLOWERS &amp; COMPRESSORS

SS0-1D10-D



## BLOWER PACKAGES - biogas application

Robuschi is pleased to introduce the new solutions for BIOGAS applications, especially developed, for the **conveying and compression of biogas, as well as natural and landfill gases in waste water treatment and power generation plants.**

The Blower Biogas Packages have been certified, according to the most important and recent **EC guideline 94/9/EC (ATEX) - group II in category 2**, in order to guarantee the best safety usage in this range of application.

### ROBOX evolution BIOGAS

Blower package units, with capacity **up to 2850 m<sup>3</sup>/h** and differential pressure **up to 1000 mbar**.

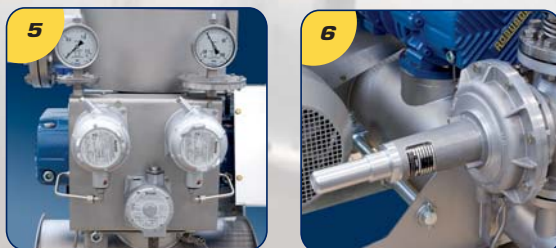
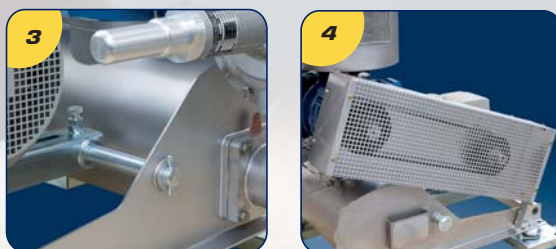
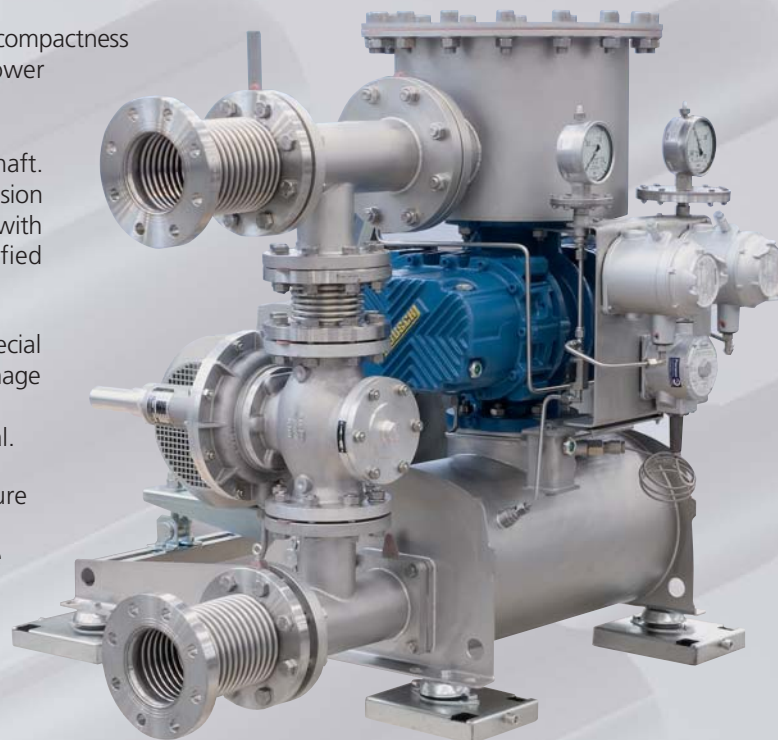
The innovative characteristics of the ROBOX evolution: silence, compactness and easy maintenance, remain the hallmarks of this new blower BIOGAS group.

- 1 • RBS blower stage:** with gastight sealing of the driving shaft. It is available, optionally, the blower with a special anticorrosion coating protecting all the blower's components in contact with the gas. The blower is explosion-proof tested and certified up to 12 bar.
- 2 • Suction silencer:** 1.3 bar overpressure PED certified special design silencer, fabricated in hot galvanized steel with drainage and 12 bar explosion-proof tested. It is also available in the stainless steel version as optional.
- 3 • Baseframe with discharge silencer:** 1.3 bar overpressure PED certified baseplate and special design discharge silencer, fabricated in hot galvanized steel with drainage device and 12 bar explosion-proof tested. It is also available in the stainless steel version as optional.
- 4 • Spark safe belt guard** in ATEX version.
- 5 • Instruments panel:**
  - **Inlet and outlet pressure gauge indicators:** diaphragm manometer complete of stainless steel accessories (tap and pipes) in ATEX version.
  - **Temperature protection switch in ATEX version**
  - **Pressure protection switches** (optional)
- 6 • Pressure regulator with bypass** for keeping outlet pressure constant (optional). The standard version is equipped with a safety relief valve and a non return WR valve in ATEX version.

**Axial compensators** in suction and discharge side in stainless steel.

- The following components are available in addition to the standard version:
  - *Sound enclosure*
  - *Stainless steel gas humidity drainage system with tank*

**Other special designs are available upon request.**



#### PERFORMANCES

	ROBOX evolution BIOGAS 1	ROBOX evolution BIOGAS 2	ROBOX evolution BIOGAS 3
<b>RBS RANGE</b>	15-25-35	35-45-46-55-65	65-66-75-85-86
<b>Pressure min/max (mbar)</b>	1 / 1000	1 / 1000	1 / 1000
<b>Capacity min/max (m<sup>3</sup>/h)</b>	240 / 400	400 / 1080	1370 / 2850

### CRBIO - GRBIO

Blower package groups, assembled on a skid, with capacity **up to 3280 m<sup>3</sup>/h** and differential pressure **up to 400 mbar**.

It is available with pulley - belt transmission (GRBIO) and directly coupled (CRBIO).

- 7 • RBS blower stage:** with the same features of the ROBOX evolution version.
- 8 • Steel base** with anti-vibration mounts
- 9 • Non return valve**
- 10 • Galvanized and / or painted piping**
- 11 • By-pass safety relief valve**
- 12 • Coupling guards in ATEX version**

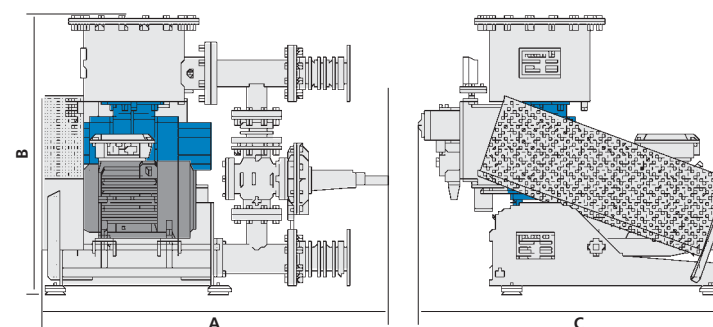
- The following components are available in addition to the standard version:
  - *Pressure regulator with bypass for keeping outlet pressure constant*
  - *Inlet and outlet pressure gauge indicators in ATEX version*
  - *Temperature protection switch in ATEX version*

#### PERFORMANCES

	CRBIO/GRBIO 1	CRBIO/GRBIO 2	CRBIO/GRBIO 3
<b>RBS RANGE</b>	15-25	35-45-46- 55-65-66	75-85-86
<b>Pressure min/max (mbar)</b>	1 / 400	1 / 400	1 / 400
<b>Capacity min/max (m<sup>3</sup>/h)</b>	40 / 350	100 / 2040	570 / 3280

#### DIMENSIONS AND WEIGHT

##### ROBOX evolution BIOGAS

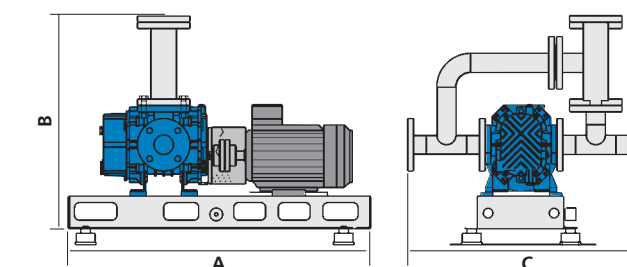


EL	15/1	25/1	35/1	35/2	45/2	46/2	55/2	65/2	65/3	66/3	75/3	85/3	86/3
<b>A</b>	844	862	862	1161	1161	1211	1196	1235	1630	1630	1630	1630	1670
<b>B</b>	745	745	745	1070	1070	1070	1122	1122	1595	1435	1515	1515	1515
<b>C</b>	912	912	985	1265	1265	1265	1265	1265	1695	1695	1695	1695	1695
<b>Kg*</b>	75	80	235	245	245	260	295	310	435	465	495	535	605

\* Without motor



##### CRBIO Directly coupled



CRBIO	15/1	25/1	35/2	45/2	46/2	55/2	65/2	66/2	75/3	85/3	86/3
<b>A</b>	950	950	950	950	1100	1800	1800	1800	1800	1800	1900
<b>B</b>	630	630	670	670	670	1035	1035	1155	1065	1185	1185
<b>C</b>	726	726	822	822	822	815	815	815	1410	1410	1410

##### GRBIO Pulley - belt transmission

Many configurations are available.